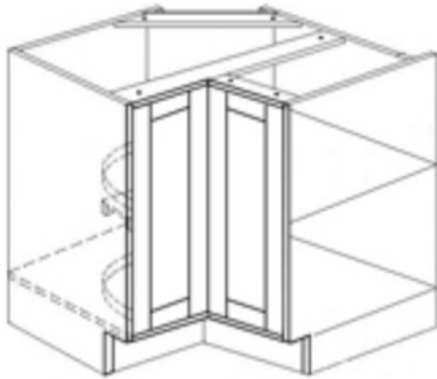


FRAMELESS LAZY SUSAN



LS3612 - lazy Susan

BSQC36 - Shelf

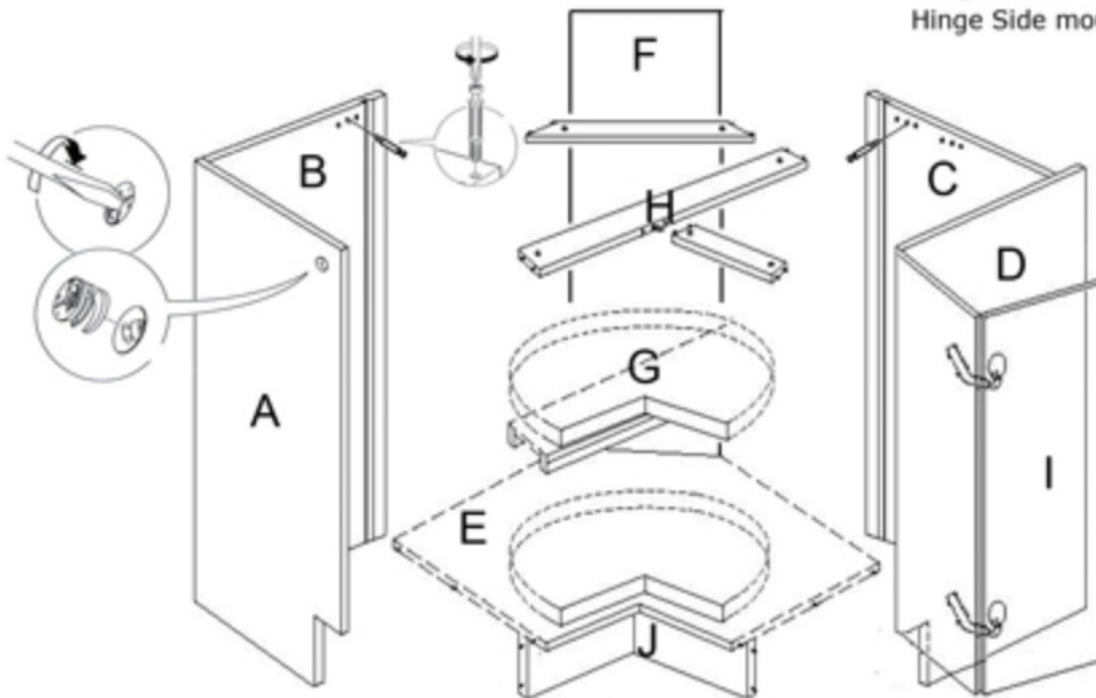
CABINET COMPONENTS:

- A Front Right Side Panel
- B Rear Right Side Panel
- C Rear Left Side Panel
- D Front Left Side Panel
- E Bottom Panel
- F Back Panel
- G Shelves / Lazy Susan
- H Top Support
- I Door Panel
- J Toe Kick

HARDWARE:



white glue applied to each dowel and dove tail for stability (wood glue not included)

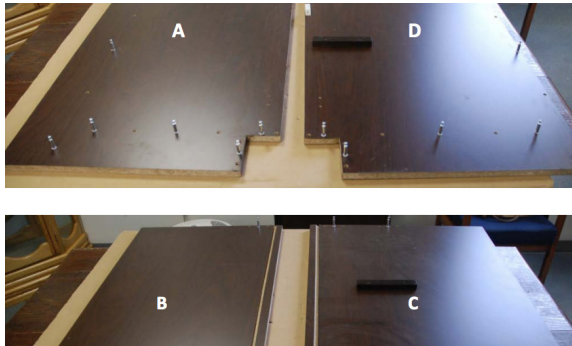


- A. Do not overtighten Side Post (snug)
- B. Glue Dowel

Note: DO NOT USE A POWER DRILL.

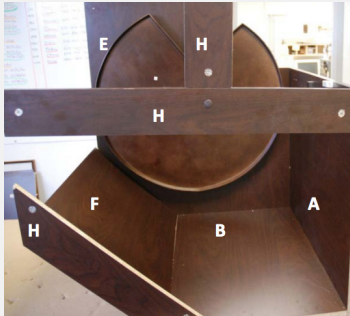
LAZY SUSAN

1



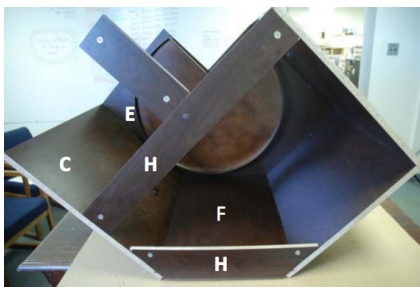
- Lay sides A,B,C,D (front & rear side panels) face down so the holes show
- Insert side posts to plastic holders
- The height of the pins should be 1 ¼" from the flat surface

2



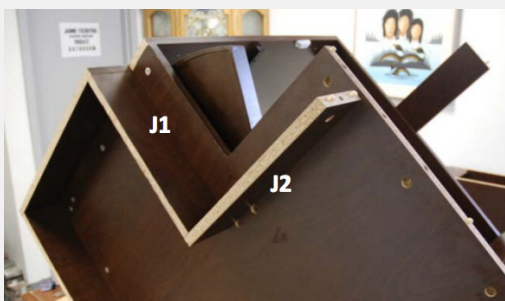
- Starting with piece B groove up, attach E (bottom panel) cam lock
- Now attach A (front right side panel) to B & E cam lock
- Cam lock H (angle cut top support) to the back of B, cam lock H (long top support) to A
- Now attach H (short top support) to H (long top support) and cam lock
- Slide in F (back panel) to grooves of B, E, H

3



- Now attach C to E, F, H (angle) H (long)

4



- While the cabinet is still lying down, make sure to cam lock your toe kicks (J1, J2) into place

LAZY SUSAN

5



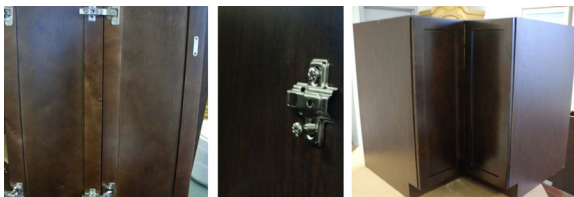
- Stand unit up
- Insert G (shelves/lazy susan) screw down

6



- Attach D to E, C and H (short top support) cam lock

7



- Now fasten hinges onto door's smaller hinges used to connect the doors together. Large hinges hook up to the hinge side mount, which is connected to either A or D depending on which way the door is to be opened
- After attaching the doors, adjust hinges as needed to level doors and centre crack