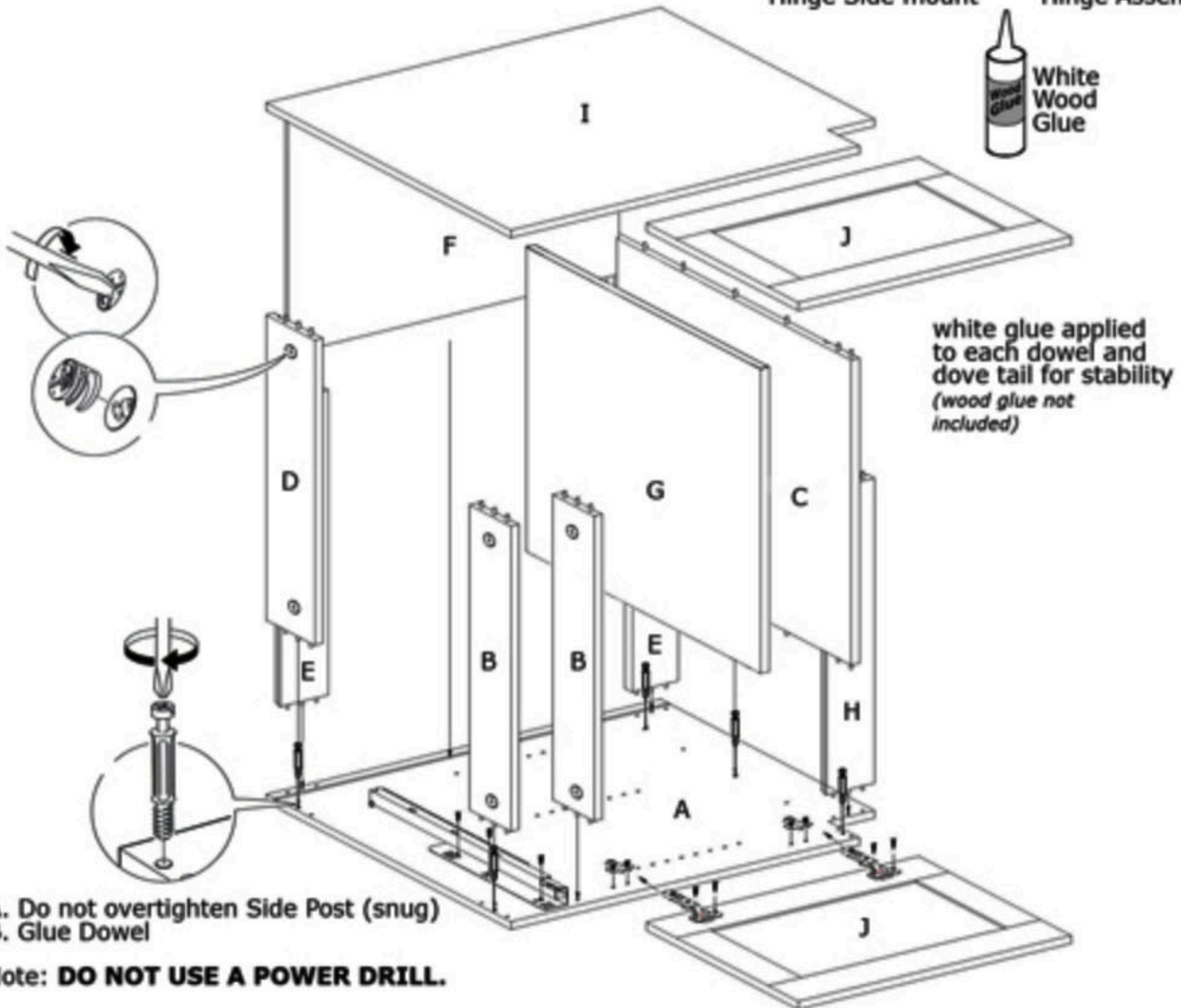


SINK BASE

CABINET COMPONENTS:

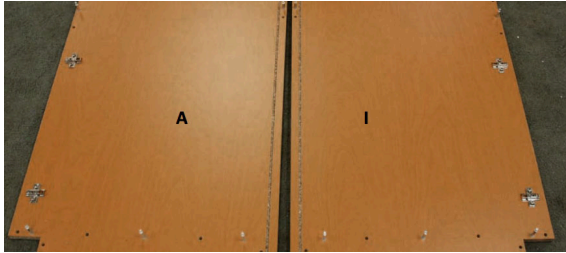
- A Right Side Panel
- B Top Front Panel
- C Bottom Panel
- D Top back Panel
- E Back Support (Upper & Lower)
- F Back Panel
- G Shelves
- H Toe Kick
- I Left Side Panel
- J Door Panel

HARDWARE:



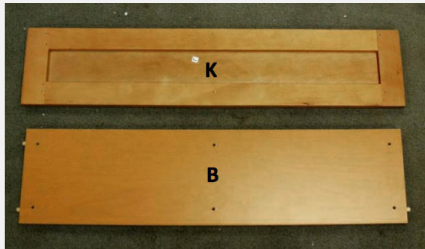
SINK BASE CABINET

1



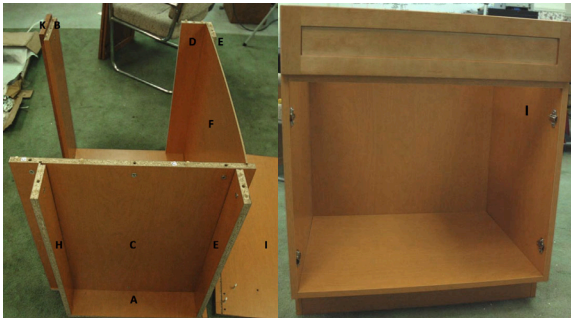
- Lay sides A & I (right & left side panel) face down so the holes show
- Insert side posts to plastic holders
- The height of the pins should be 1 ¼" from the flat surface
- Also attach hinge side mount to A & I

2



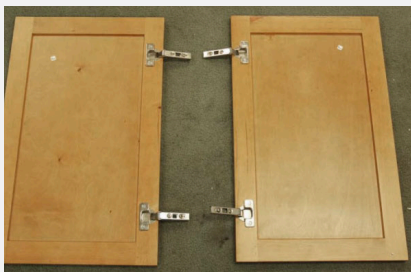
- Screw piece K (front panel) onto B (front support panel)

3



- Attach the following pieces to A and cam lock into place
- Insert C (bottom panel) to bottom of A
- Attach H (toe kick) groove up to front right corner underneath C
- Attach E (back lower support) to back right corner underneath C
- Attach E (back upper support) & D (top back panel) to top left corner, the grooves will connect together
- Slide in F (back panel) to D and C
- Attach the B that has K screwed on to A
- Lastly attach I to the dowels showing, cam lock, and stand unit up

4



- Attach hinges to doors then clip onto hinge side mount
- Adjust doors as needed