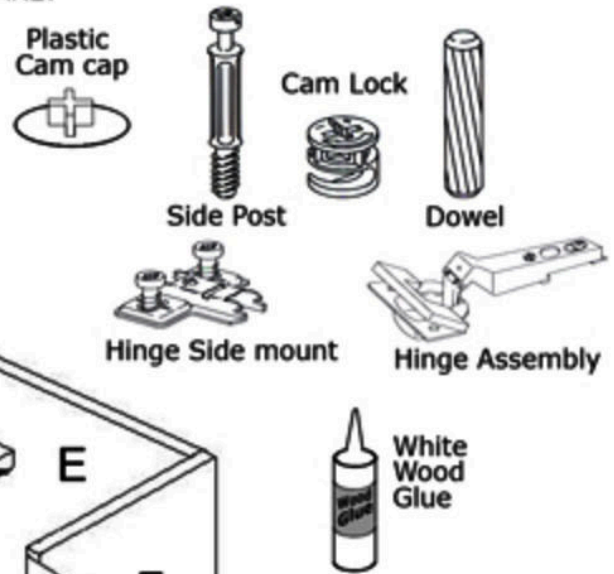


WDC2430

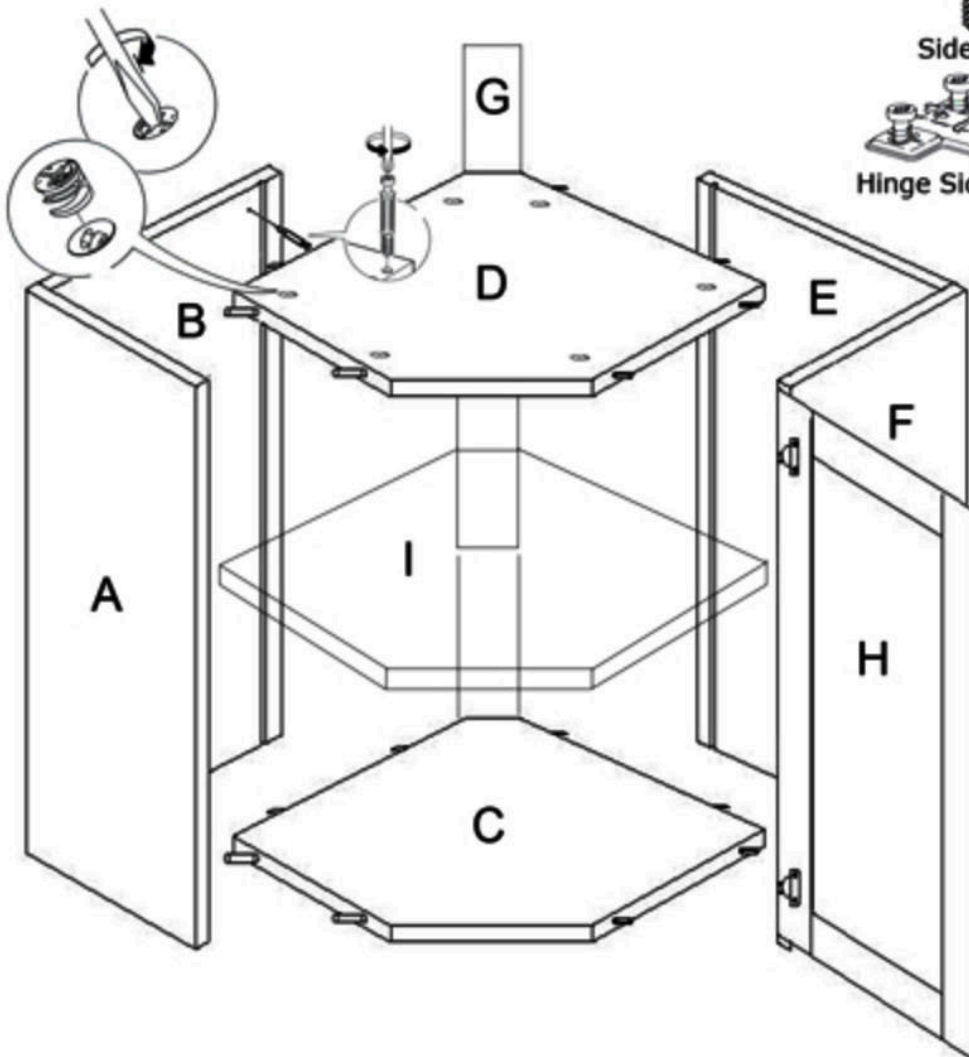
CABINET COMPONENTS:

- A Right Side FRONT Panel
- B Right Side BACK Panel
- C Bottom Panel
- D Top Panel
- E Left Side BACK Panel
- F Left Side FRONT Panel
- G Back Panel
- H Door Front
- I Shelves

HARDWARE:



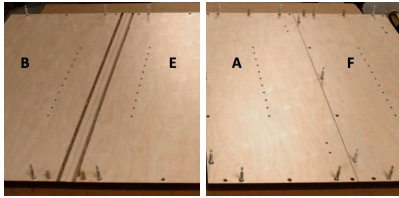
white glue applied to each dowel and dove tail for stability
(wood glue not included)



- A. Do not overtighten Side Post (snug)
- B. Glue Dowel

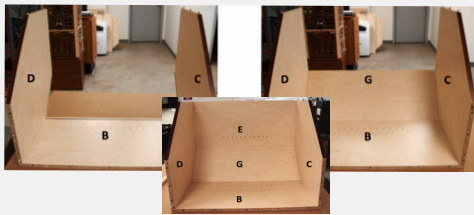
WALL CABINET

1



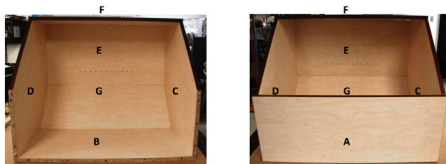
- Lay sides B, E, A & F (back panels & front panels) down so the holes show
- Insert side posts to plastic holders
- The height of the pins should be 1 ¼" from the flat surface

2



- Starting with piece B attach D & C (top & bottom panels) cam lock
- Then slide in G (back panel)
- Now attach E and cam lock

3



- Lay F on top of E, D and C knock into place and cam lock
- Then attach A to B, C, D and cam lock
- Stand unit up for easier access when attaching the door

4



- Place door face down
- Insert hinges into circle cut outs
- Screw into place
- Attach door to make either a left open or right open cabinet (screws are already on hinges for easy assembly)
- Insert shelf using the 4 supports included
- Shelf height is adjustable

5



- Lastly adjust the door if need be by tightening or loosening hinge screws
- Adjust the screws that aren't connected to either the carcass or door to the left, right, front and back